

# High Brightness Orange LED Lamp

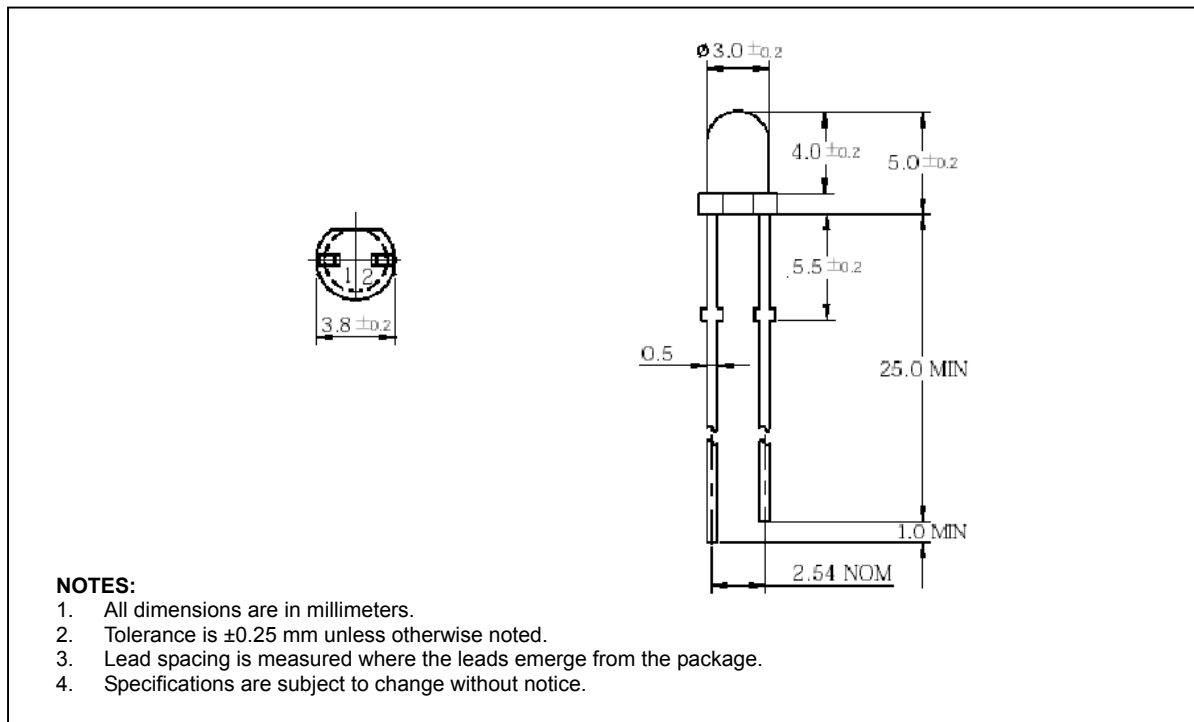
3mm Round Through-Hole Package

## BL-LUOR3N25C-SB

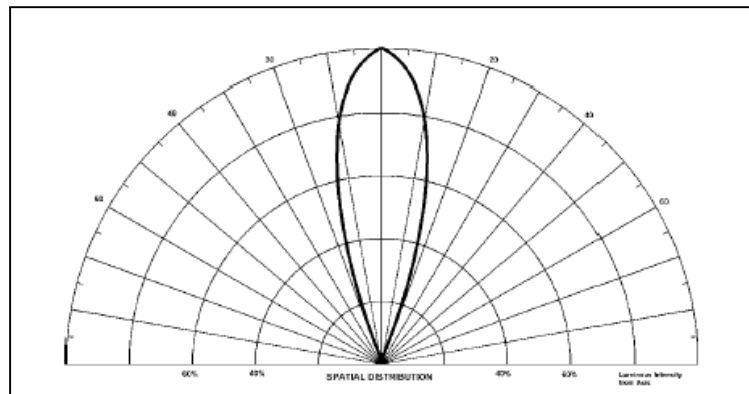


FEATURES	APPLICATIONS
<ul style="list-style-type: none"><li>• High Output Orange 618nm LED</li><li>• AlInGaP with BR on GaAs die.</li><li>• 3mm round resin mold; water Clear Lens.</li><li>• Wide viewing angle (25° - 30°).</li><li>• Lead stoppers (standoffs)</li></ul>	<ul style="list-style-type: none"><li>• Displays and signage</li><li>• Automotive instrument backlighting</li><li>• LCD backlighting</li><li>• Decorative /Accent Lighting</li></ul>

### PACKAGE OUTLINE DIMENSIONS



### BEAM RADIATION PATTERN



# High Brightness Orange LED Lamp

3mm Round Through-Hole Package

## BL-LUOR3N25C-SB



### ABSOLUTE MAXIMUM RATING (at $T_A = 25^\circ\text{C}$ )

Parameter	Symbol	Value	Unit
Continuous Forward Current	$I_F$	40	mA
Peak Forward Current (1/16 Duty Cycle, 0.1msec Pulse width)	$I_{Fp}$	150	mA
Power Dissipation	$P_d$	120	mW
Forward Voltage	$V_f$	2.5	V
Derating Factor	$D_F$	0.4	mA / $^\circ\text{C}$
Reverse Voltage	$V_R$	5.0	V
Operating Temperature	$T_{opr}$	-40 to +90	$^\circ\text{C}$
Storage Temperature	$T_{stg}$	-40 to +110	$^\circ\text{C}$
Lead Soldering Temperature (1.6mm (0.063") from body)	260 $^\circ\text{C}$ for 5 seconds		

### ELECTRICAL / OPTICAL CHARACTERISTICS (at $T_A = 25^\circ\text{C}$ )

Parameter	Symbol	Min	Typ	Max	Unit
Forward Voltage	$I_F = 20\text{ mA}$ $V_F$		2.0	2.5	V
Luminous Intensity	$I_F = 20\text{ mA}$ $I_v$	1100	1600	1750	mcd
Dominant Wavelength	$I_F = 20\text{ mA}$ $\lambda_d$	614	618	622	nm
Peak Wavelength	$I_F = 20\text{ mA}$ $\lambda_p$	620	624	628	nm
Spectrum Radiation Bandwidth	$I_F = 20\text{ mA}$ $\Delta\lambda$		18		nm
Viewing Angle	$2\theta_{1/2}$	24	25	30	deg
Reverse Current	$V_R = 5\text{ V}$ $I_R$		10	100	$\mu\text{A}$

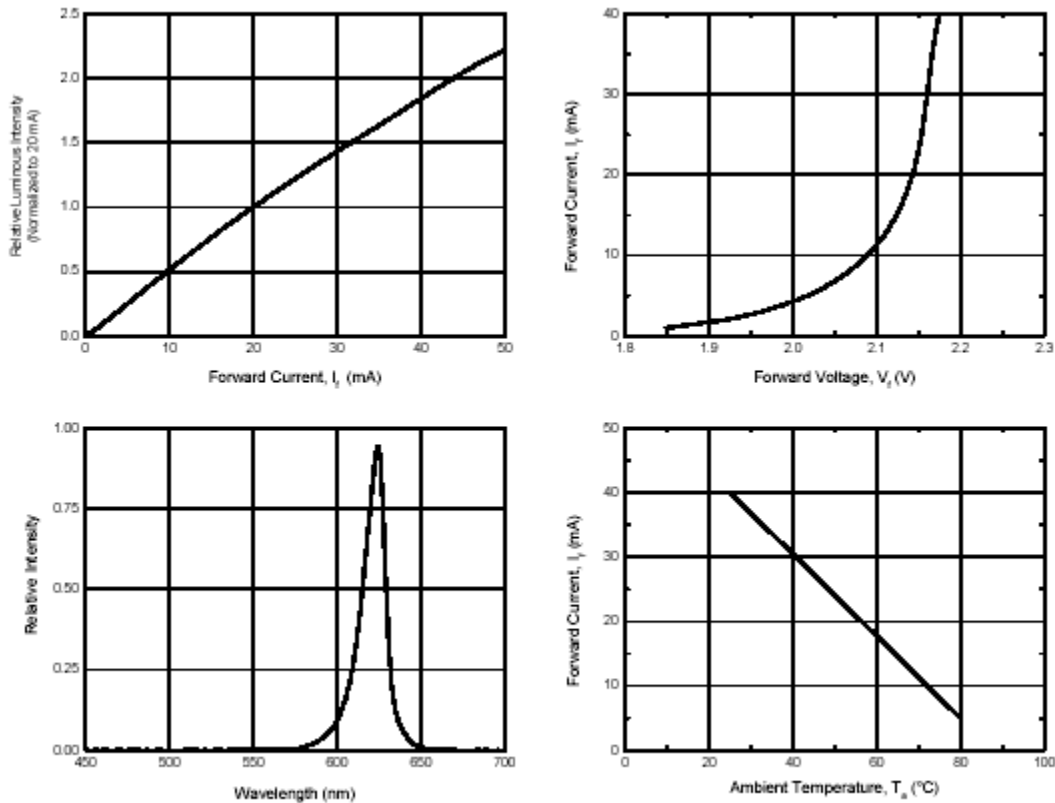
# High Brightness Orange LED Lamp

3mm Round Through-Hole Package

**BL-LUOR3N25C-SB**



## TYPICAL ELECTRICAL CHARACTERISTICS CURVES (at 20 mA DC / $T_A = 25^\circ\text{C}$ )



### GENERAL NOTES:

1. Luminous Intensity ( $I_v$ ), a photometric measurement, is obtained by measuring the LED lamp with a Spectral Goniometric Analyzer. It is the Light Energy (mW) emitted by the LED lamp in the forward axial direction (within a  $3^\circ$  solid angle (sr)).
2. Luminous Intensity measurement uncertainty is  $\pm 15\%$  due to test procedures and equipment variations.
3.  $\theta_{1/2}$  is the off-axis angle at which the luminous intensity is half the axial luminous intensity. Tolerance  $\pm 3^\circ$ .
4. Dominant wavelength is derived from the 1931 CIE  $2^\circ$  Observer Chromaticity Diagram.
5. Peak and Dominant wavelength measurement uncertainty is  $\pm 0.05$  due to variations.
6. Caution for ESD: Static Electricity and surges can damage the LED. It is recommended using a wristband or anti-electrostatic glove when handling the LED. All devices, equipment and machinery must be properly grounded.
7. Do not apply excess mechanical stress to the leads, especially when heated or while soldering.

# High Brightness Orange LED Lamp

3mm Round Through-Hole Package

**BL-LUOR3N25C-SB**



## PRODUCT CODE BREAKDOWN

