

## FEATURE:

1. SUPER LUMINOSITY YELLOW LED (AlInGaP/GaAs).
2. WATER CLEAR PACKAGE.
3. 5mm ALL RESIN MOLD.
4. UV RESISTENT EPOXY.

## ABSOLUTE MAXIMUM RATING: $T_a=25\text{ }^\circ\text{C}$ J

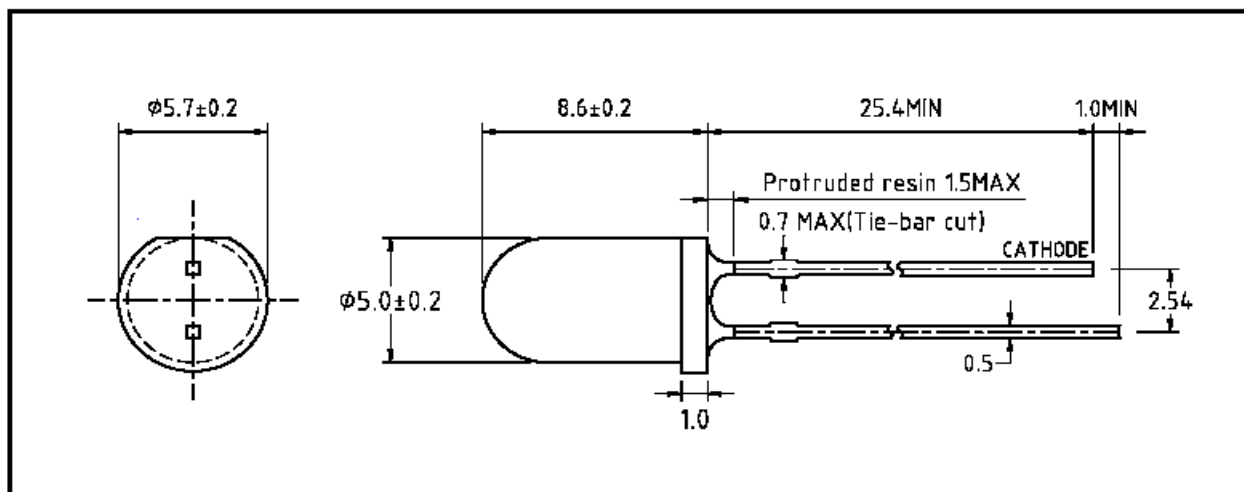
1. POWER DISSIPATION.	130 mW
2. PEAK FORWARD CURRENT	150 mA
3. CONTINUOUS FORWARD CURRENT	50 mA
4. DERATING FACTOR	0.40 mA/ C
5. REVERSE VOLTAGE	5 V
6. OPERATING TEMPERATURE	-25 -- +85 $^\circ\text{C}$ J
7. STORAGE TEMPERATURE	-35 -- +100 $^\circ\text{C}$ J
8. SOLDERING TEMPERATURE	260 $^\circ\text{C}$ J/ 5 Sec

Note : Duty Ratio = 1/16 , Pulse Width = 01.ms

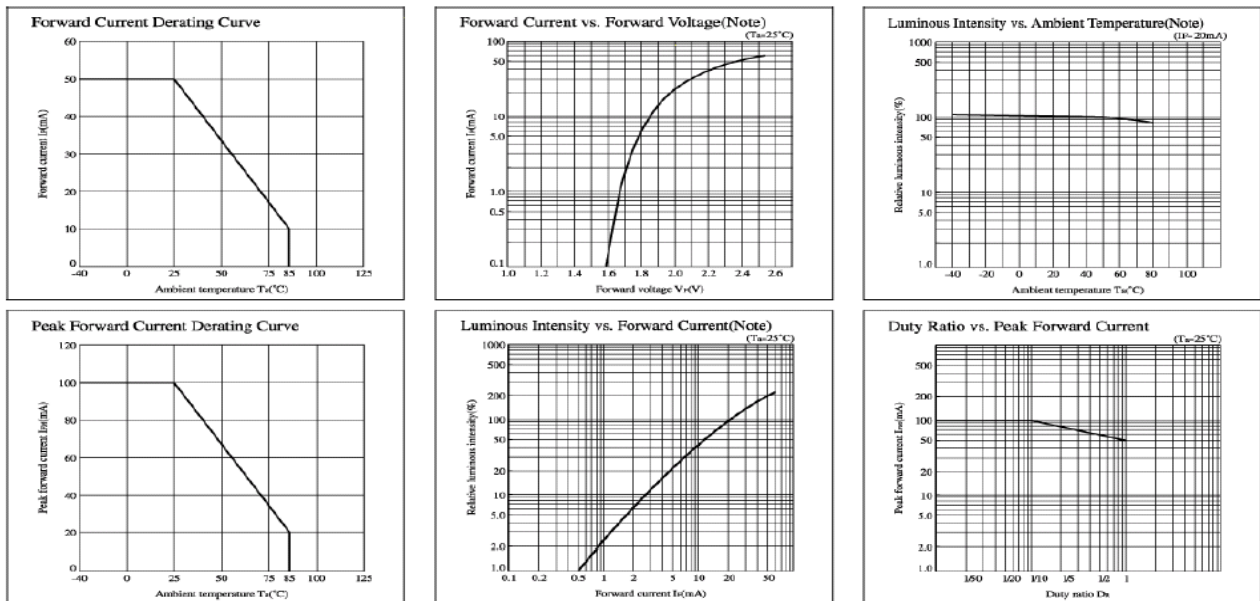
## ABSOLUTE OPTICAL CHARACTERISTIC $T_a= 25\text{ }^\circ\text{C}$ J

PARAMETER		SYMBOL	MIN.	TYP	MAX..	UNIT
Forward Voltage	$I_f=20\text{mA}$	$V_F$		2.3	2.6	V
Luminous Intensity	$I_f=20\text{mA}$	$I_V$	1900		5500	md
Dominant Wavelength	$I_f=20\text{mA}$	$\lambda_d$		590		nm
Spectrum Radiation Bandwidth	$I_f=20\text{mA}$			20		nm
Reverse Current	$V_R = 5\text{V}$	$I_R$			10	A
View Angle		$2\text{ } 1/2$		30		deg

## OUTLINE DIMENSIONS:



## Characteristic Diagram



### Device :

AlInGaP Yellow LED  
 T 1-3/4 (5mm) Standard LED Package  
 View Angle : 8° 15° 23° 30°

### Application :

Traffic Signals  
 Railroad Signals  
 Commercial Outdoor Signs  
 Auto Motive Interior Lights

### Luminous Intensity Rank

(mcd at 20 mA)

Rank Name	Min	Max
P	880	1150
Q	1150	1500
R	1500	1900
S	1900	2500
T	2500	3200
U	3200	4200
V	4200	5500
W	5500	7200
X	7200	9300
Y	9300	12000
Z	12000	16000

### Color Rank d

(nm at 20 mA)

Rank Name	Min	Max
1	584.5	587
2	587	589.5
3	589.5	592
4	592	594.5

### Note :

Tolerance for intensity rank bin limit  $\pm 15\%$   
 Tolerance for color rank bin limit is  $\pm 1\text{nm}$   
 Iv Bin Rank of SG-5N3TY-A are from S to V